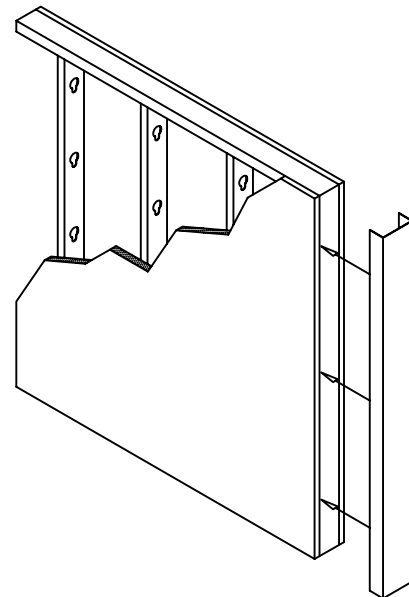
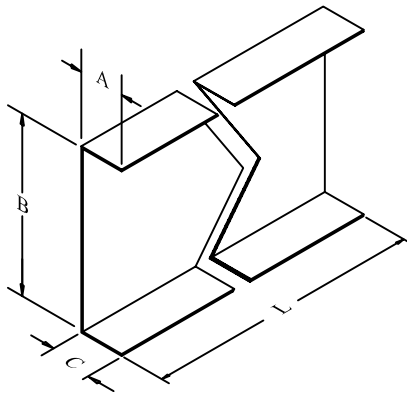




MULLION CAP - DRYWALL APPLICATIONS (3⁵/₈")
ANODIZED ALUMINUM - CLEAR (CA), DARK BRONZE (DB)

<u>PRODUCT #</u>	<u>FLANGE (A)</u>	<u>THROAT (B)</u>	<u>FLANGE (C)</u>	<u>LENGTH (L)</u>	<u>L.F. / CTN</u>
CA1478	1"	4 7/8"	1"	120"	60
CA112478	1 1/2"	4 7/8"	1 1/2"	120"	40
DB1478	1"	4 7/8"	1"	120"	60
DB112478	1 1/2"	4 7/8"	1 1/2"	120"	40



***PRODUCT INFORMATION - ANODIZED ALUMINUM MULLION CAPS - FOR 3⁵/₈" WALLS**

- CONFORMS TO ASTM B209. ALUMINUM ALLOY IS 5005-H34 (UNS A95005)
- ALUMINUM IS ANODIZED FOR CORROSION RESISTANCE, ABRASION RESISTANCE, INSULATION FROM ELECTRICITY, ADHESION, OR AESTHETIC ENHANCEMENT
- EXTERIOR STANDARD NO. 1 ANODIC COATING W/FILM THICKNESS OF .000250 INCHES
- THICKNESS IS (.040) 18 GAUGE
- AVAILABLE IN PRE-PAINTED ALUMINUM

-WE ALSO FABRICATE FOR CUSTOM APPLICATIONS-

Aluminum - various colors and anodized products - .032, .040, .050, .063
 Stainless and Galvanized

*AN "ARTICLE" DOES NOT REQUIRE MATERIAL SAFETY DATA SHEETS (MSDS)

THIS PRODUCT, WHICH IS MANUFACTURED BY ACCURATE FABRICATION, IS CLASSIFIED AS AN "ARTICLE" AS DEFINED BY OSHA STANDARD 1910.1200, PARAGRAPH "C". ACCORDING TO THIS DEFINITION AN "ARTICLE" MEANS A MANUFACTURED ITEM OTHER THAN A FLUID OR PARTICLE. THIS "ARTICLE" IS FORMED TO A SPECIFIC SHAPE OR DESIGN DURING MANUFACTURE, HAS AN END USE FUNCTION(S) DEPENDENT IN WHOLE OR IN PART UPON ITS SHAPE OR DESIGN DURING END USE AND DOES NOT RELEASE OR RESULT IN EXPOSURE TO A HAZARDOUS CHEMICAL UNDER NORMAL CONDITIONS OF USE.