



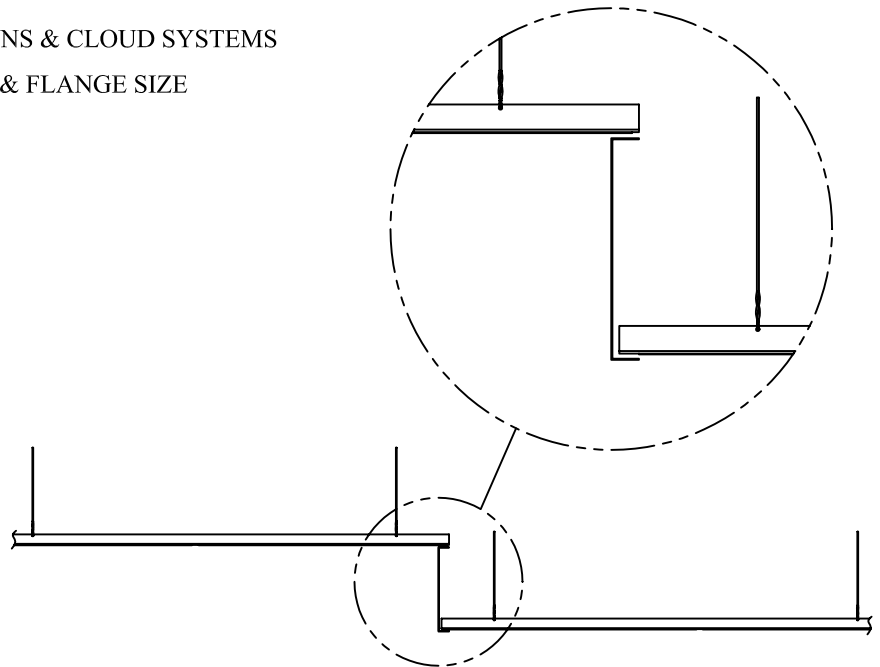
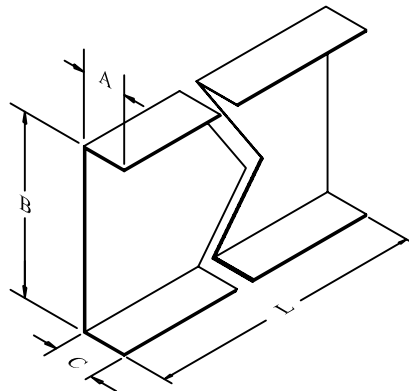
C-CHANNEL MOLDING

-ALUMINUM-

PRODUCT #	FLANGE (A)	HEIGHT (B)	FLANGE (C)	LENGTH (L)	L.F. / CTN
C12110	1"	2"	1"	120"	140
C13110	1"	3"	1"	120"	140
C14110	1"	4"	1"	120"	120
C16110	1"	6"	1"	120"	60
C18110	1"	8"	1"	120"	60

(UP TO 46")

- IDEAL FOR CEILING HEIGHT TRANSITIONS & CLOUD SYSTEMS
- CUSTOM FABRICATED TO ANY HEIGHT & FLANGE SIZE



*PRODUCT INFORMATION - WHITE ALUMINUM C-CHANNEL MOLDING

- CONFORMS TO ASTM B209. ALUMINUM ALLOY IS EITHER 3105-H14 (UNS A93015) OR 3003-H14 (UNS A93003)
- ALUMINUM HAS BEEN PRE-TREATED, PRIMED AND COATED WITH A POLYESTER FINISH
- THICKNESS IS (.040) 18 GAUGE

-WE ALSO FABRICATE FOR CUSTOM APPLICATIONS-

Aluminum - various colors and anodized products - .032, .040, .050, .063
Stainless and Galvanized

*AN "ARTICLE" DOES NOT REQUIRE MATERIAL SAFETY DATA SHEETS (MSDS)

THIS PRODUCT, WHICH IS MANUFACTURED BY ACCURATE FABRICATION, IS CLASSIFIED AS AN "ARTICLE" AS DEFINED BY OSHA STANDARD 1910.1200, PARAGRAPH "C". ACCORDING TO THIS DEFINITION AN "ARTICLE" MEANS A MANUFACTURED ITEM OTHER THAN A FLUID OR PARTICLE. THIS "ARTICLE" IS FORMED TO A SPECIFIC SHAPE OR DESIGN DURING MANUFACTURE, HAS AN END USE FUNCTION(S) DEPENDENT IN WHOLE OR IN PART UPON ITS SHAPE OR DESIGN DURING END USE AND DOES NOT RELEASE OR RESULT IN EXPOSURE TO A HAZARDOUS CHEMICAL UNDER NORMAL CONDITIONS OF USE.