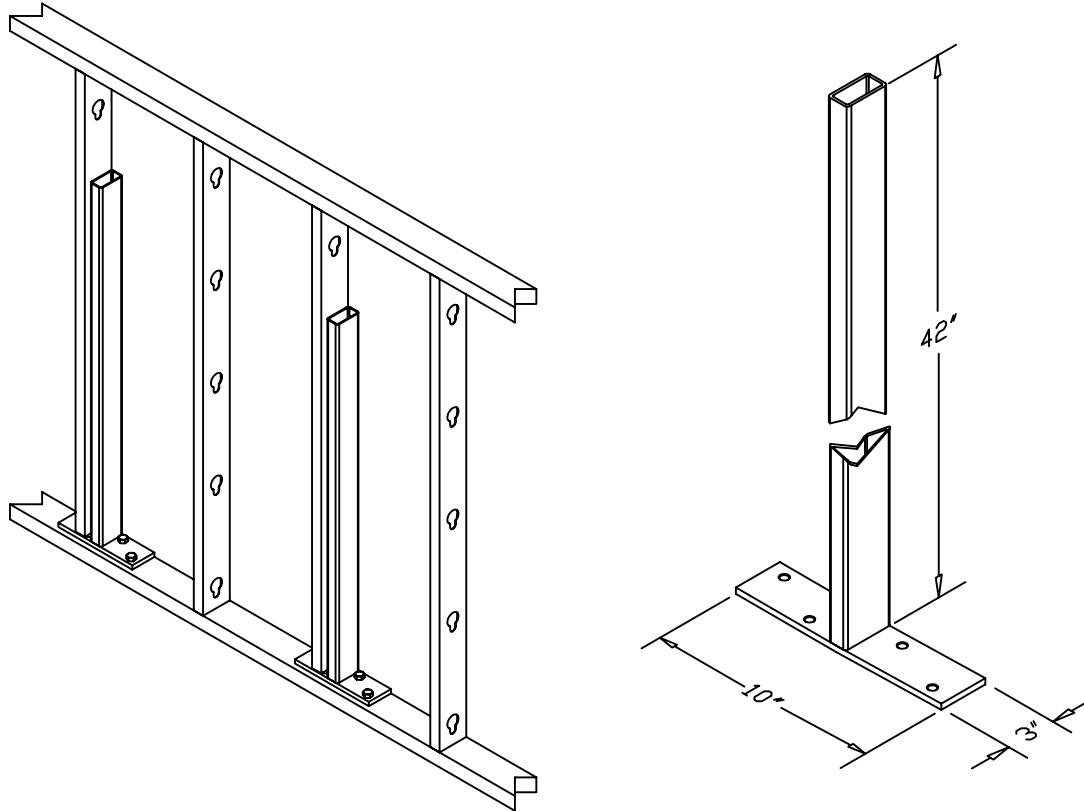




LOW-WALL SUPPORT

-Specially Designed For Reinforcing Low Walls In Commercial Drywall Applications-

PRODUCT # LWS-1042



*PRODUCT INFORMATION & FEATURES

- 1" x 3" x $\frac{1}{8}$ " STEEL TUBE
- BASE PLATE IS 3" x 10" x $\frac{3}{8}$ " THICK
- WELDED ALL 4 SIDES
- PLATE HAS (4x) $\frac{5}{8}$ " HOLES - STAGGERED TO ACCOMMODATE $\frac{1}{2}$ " WEDGE ANCHORS
- STANDARD HEIGHT OF 42"
- EASY TO FASTEN W/TEK SCREWS OR WITH A POWDER ACTUATED TOOL

-Custom Supports Available Per Request-

*AN "ARTICLE" DOES NOT REQUIRE MATERIAL SAFETY DATA SHEETS (MSDS)

THIS PRODUCT, WHICH IS MANUFACTURED BY ACCURATE FABRICATION, IS CLASSIFIED AS AN "ARTICLE" AS DEFINED BY OSHA STANDARD 1910.1200, PARAGRAPH "C". ACCORDING TO THIS DEFINITION AN "ARTICLE" MEANS A MANUFACTURED ITEM OTHER THAN A FLUID OR PARTICLE. THIS "ARTICLE" IS FORMED TO A SPECIFIC SHAPE OR DESIGN DURING MANUFACTURE, HAS AN END USE FUNCTION(S) DEPENDENT IN WHOLE OR IN PART UPON ITS SHAPE OR DESIGN DURING END USE AND DOES NOT RELEASE OR RESULT IN EXPOSURE TO A HAZARDOUS CHEMICAL UNDER NORMAL CONDITIONS OF USE.